



ELECTRONIC School Signs

DSA SCHOOL SIGN EXPERTS

DSA/PC APPROVED

- DESIGN
- PERMITS/DSA APPROVALS
- CERTIFIED FABRICATORS
- APPROVED INSTALLATION TEAM

www.quielsigns.com

PROFICIENT WITH DSA



NEW! DEMO TRUCK



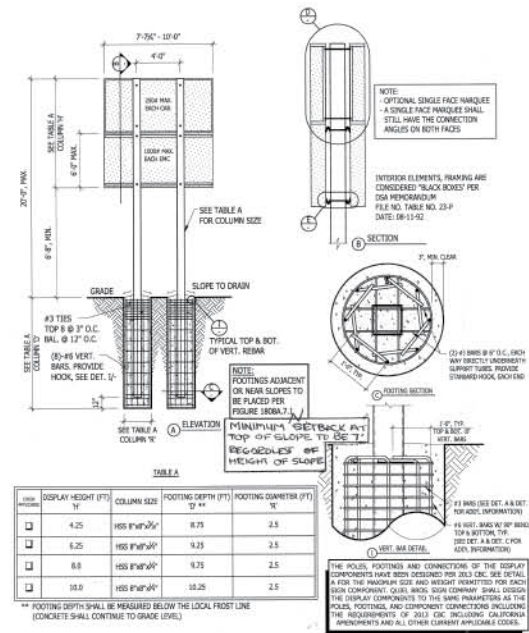
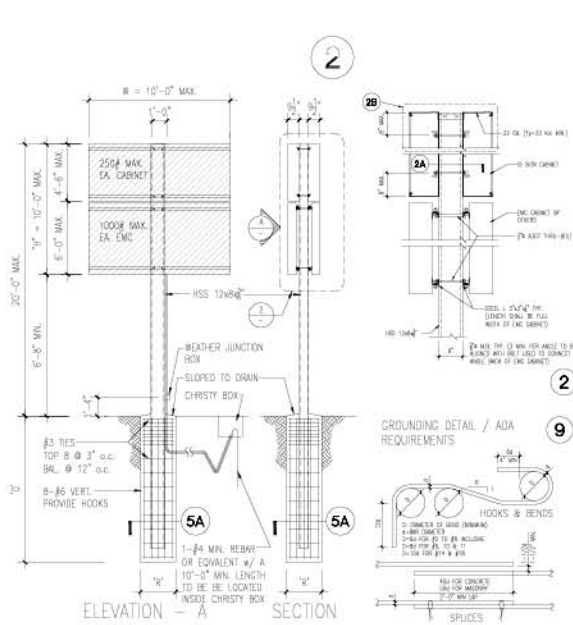
SOFTWARE TRAINING

TECHNICAL SUPPORT



COMPLETE INSTALLATION

We are the premier sign company for schools, universities and colleges. Our outdoor LED, changeable copy marquee and identification signs are all backed by the best manufacturers warranty in the industry. You can also rely on our superior customer service support.



SINGLE POLE ELECTRONIC SIGN

DOUBLE POLE ELECTRONIC SIGN



School Signs

LED Specifications

- The ultimate full-color outdoor LED display
- Future-proof—A lush 60-bit color depth (high end computers currently are only 48-bit)
- Ultra-smooth 60fps video processing
- Full color photo/video quality graphics
- Weatherproof - Rugged IP65 enclosure protects against the harshest conditions
- Uses Optec's full-featured Media Editor Pro software or can be adapted to any other EMC software suite

Specifications

Available Pixel Pitches	10mm, 12mm, 16mm, 20mm, 22mm, 25mm, 34mm
Warranty	5 years parts and in factory labor
Average LED lifetime	100,000 hours
Viewing Angle	140 / 70
Software	Media Editor Pro
Graphic Capability	Text, Animation, Picture and Video
Video Processing Speed	Up to 2.8+ GHz
Video Frame Rate	60 FPS
Video Refresh Rate	60 - 1000Hz (adjustable)
Color Processing	281 Trillion
Available Colors	RGB
Contrast Enhancement	Non-reflective louvers
Waterproofing (Front/Rear)	IP65 / IP54
Serviceability	Front or Rear
Cabinet Construction	Aluminum (UV and corrosion resistant)
Power	120 / 240VAC (50/60Hz) single phase
Operating Temperature	-30°F to 130°F
Compliance	ETL / UL48
Dimming	100 levels (automatic, scheduled, or manual control)



**B
E
F
O
R
E**

RETROFITTING EXISTING SIGNS



**A
F
T
E
R**



1 800 874-7446

Inland Empire (909)885-4476

Fax: (909) 384-0485 Licensed C45 & C10 Contractors
Contractors License #217345

